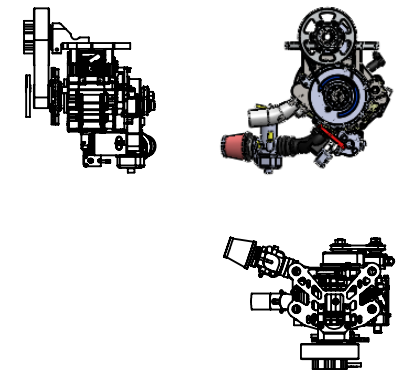
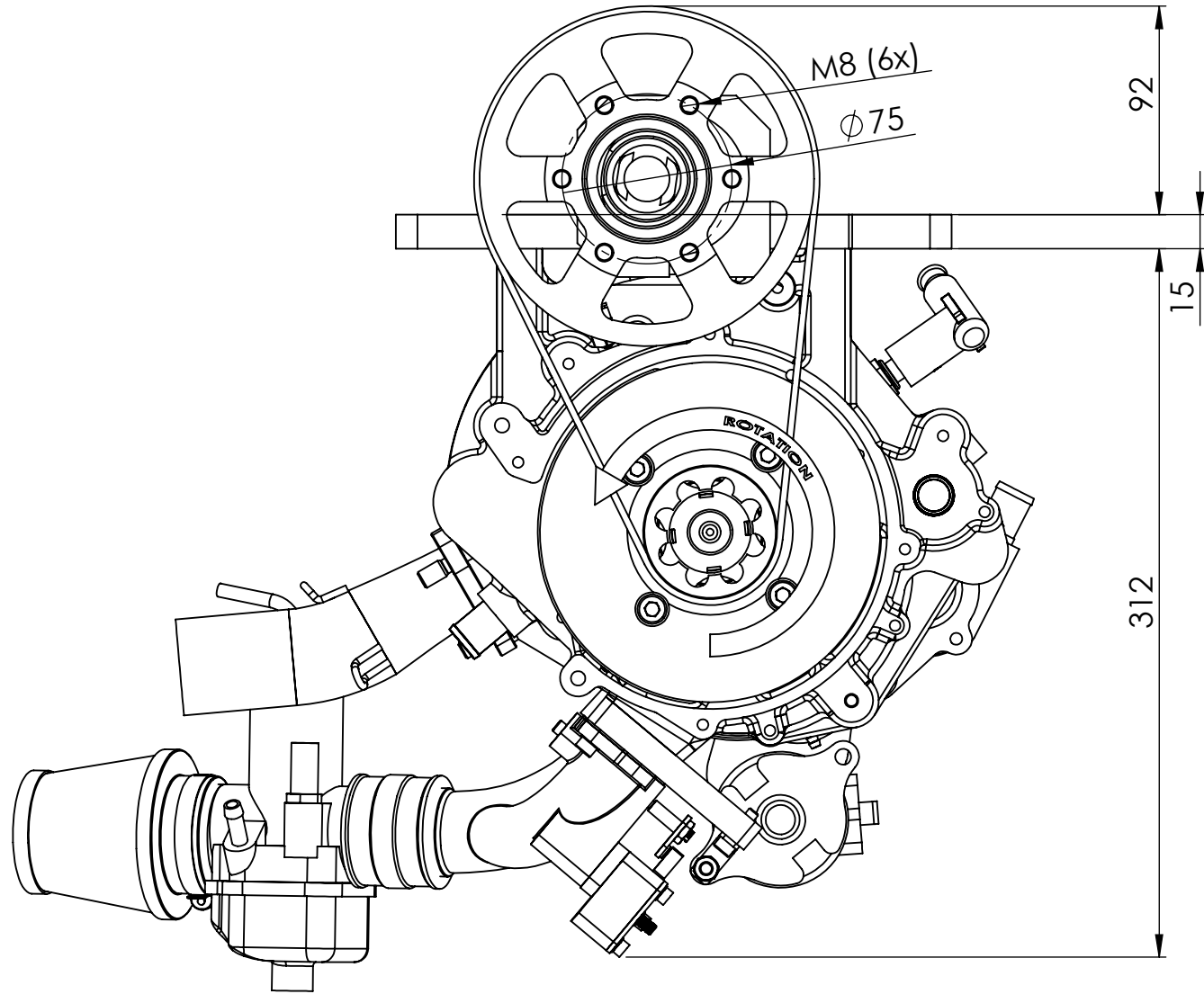


aixro XF 40



THE INFORMATION CONTAINED IN THIS DRAWING IS THE SOLE PROPERTY OF AIXRO GMBH AND WOELFLE ENGINEERING GMBH. ANY REPRODUCTION IN PART OR AS A WHOLE WITHOUT THE WRITTEN PERMISSION OF AIXRO GMBH AND WOELFLE ENGINEERING GMBH IS PROHIBITED.

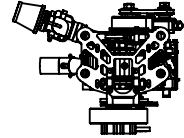
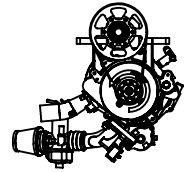
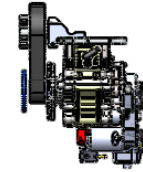
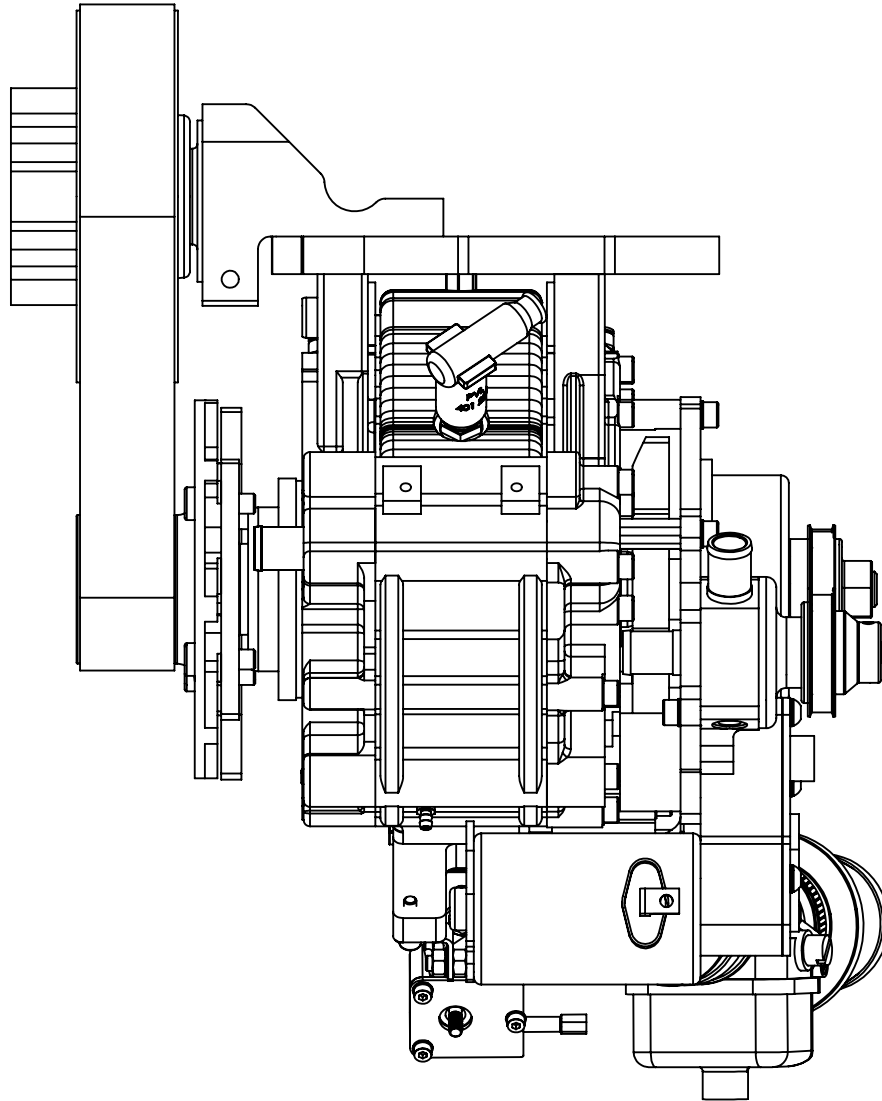


aixro XF 40

woelfle
ENGINEERING
G M B H

THE INFORMATION CONTAINED IN THIS DRAWING IS THE SOLE PROPERTY OF AIXRO GMBH AND WOELFLE ENGINEERING GMBH. ANY REPRODUCTION IN PART OR AS A WHOLE WITHOUT THE WRITTEN PERMISSION OF AIXRO GMBH AND WOELFLE ENGINEERING GMBH IS PROHIBITED.

SIZE: A4 SCALE: 1:3 SHEET 2 OF 3



aixro XF 40

woelfle
ENGINEERING
G M B H

THE INFORMATION CONTAINED IN THIS DRAWING IS THE SOLE PROPERTY OF AIXRO GMBH AND WOELFLE ENGINEERING GMBH. ANY REPRODUCTION IN PART OR AS A WHOLE WITHOUT THE WRITTEN PERMISSION OF AIXRO GMBH AND WOELFLE ENGINEERING GMBH IS PROHIBITED.

SIZE: A4 SCALE: 1:3 SHEET 3 OF 3