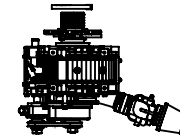
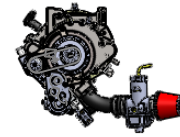
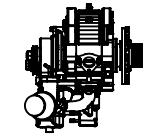
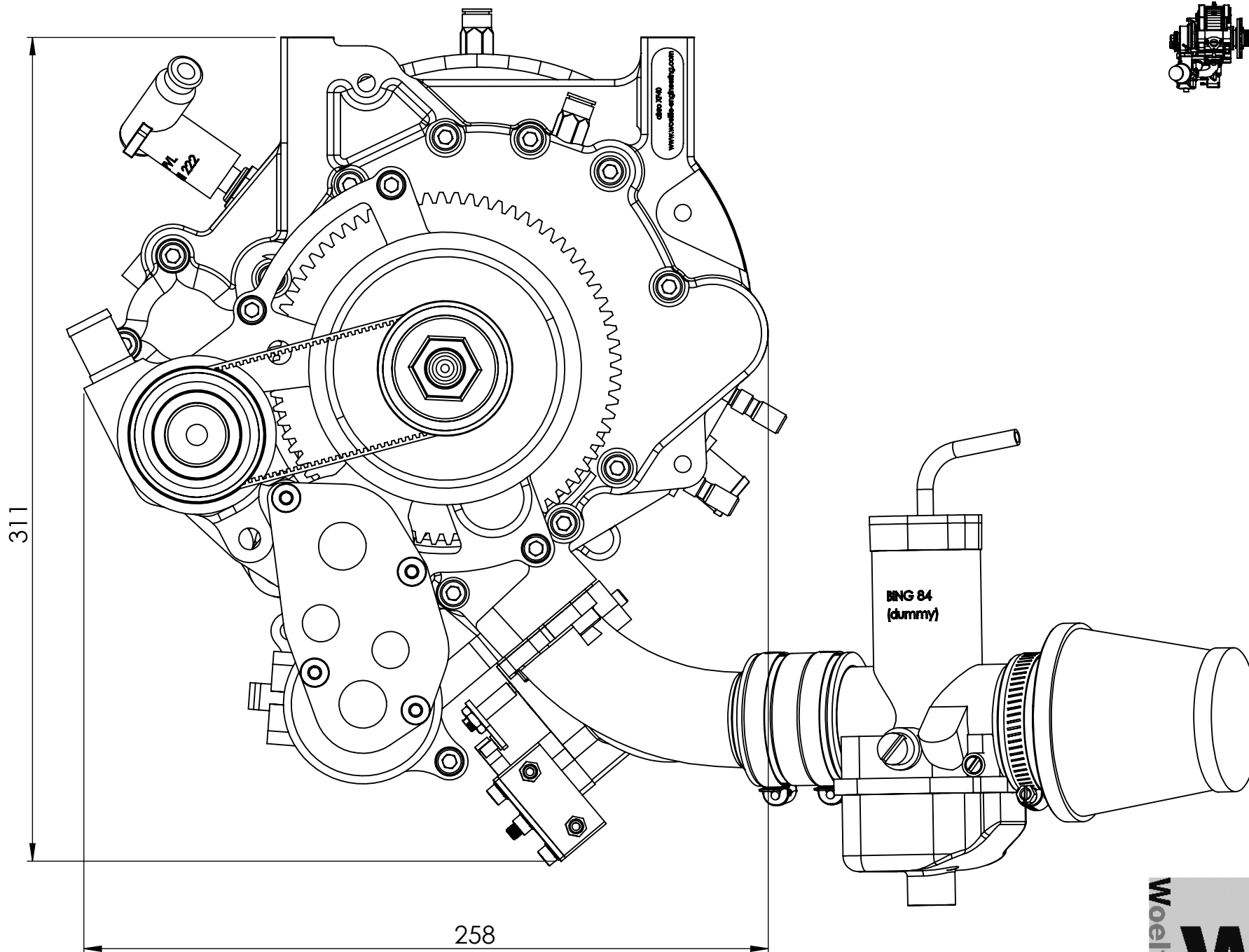


aixro XF 40

woelfle
ENGINEERING
G M B H

THE INFORMATION CONTAINED IN THIS DRAWING IS THE SOLE PROPERTY OF AIXRO GMBH AND WOELFLE ENGINEERING GMBH. ANY REPRODUCTION IN PART OR AS A WHOLE WITHOUT THE WRITTEN PERMISSION OF AIXRO GMBH AND WOELFLE ENGINEERING GMBH IS PROHIBITED.

SIZE A4 SCALE: 1:2 SHEET 1 OF 3

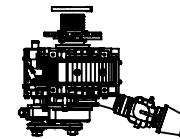
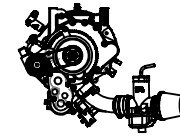
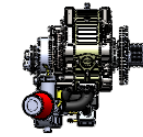
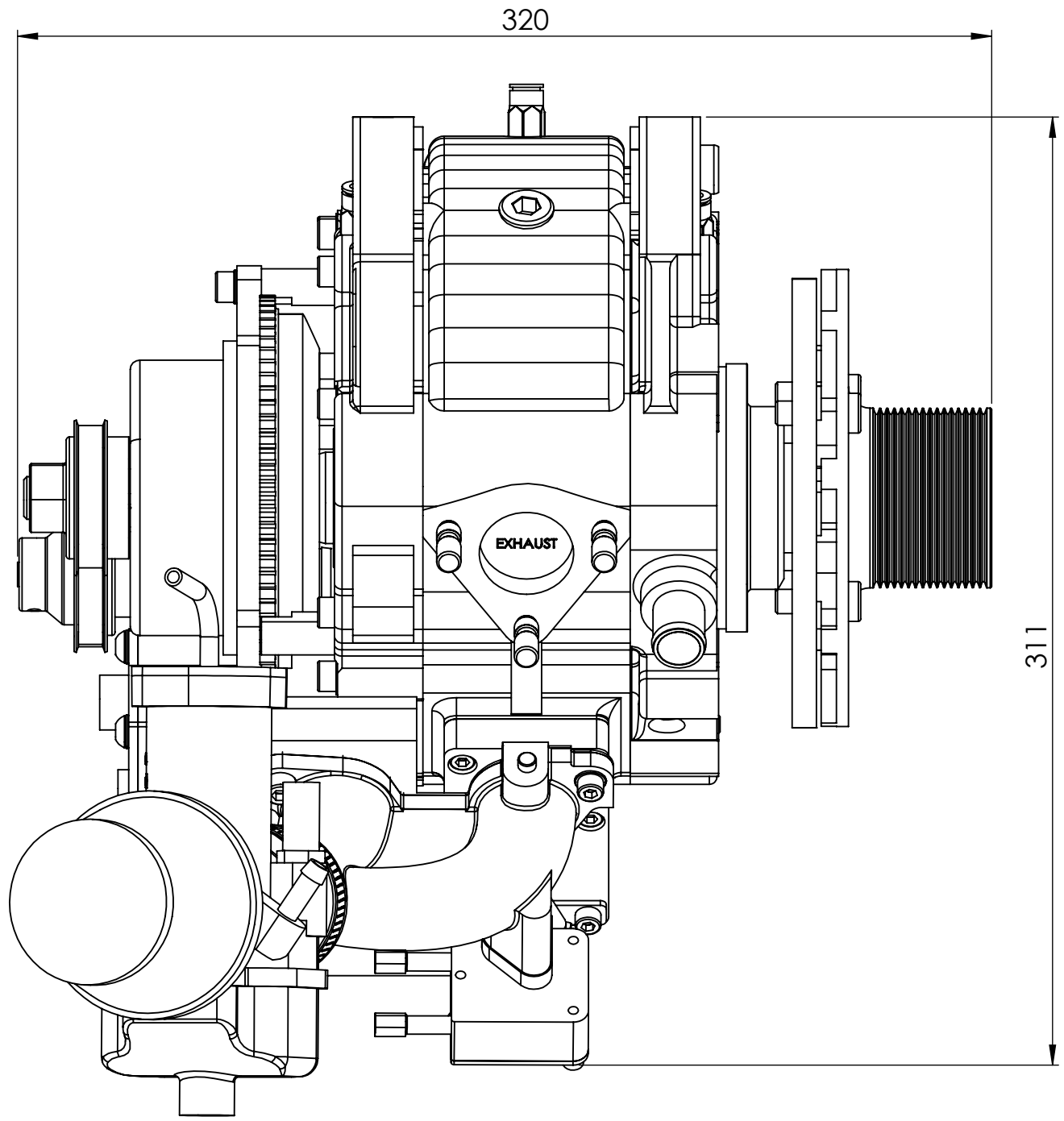


aixro XF 40

woelfle
ENGINEERING
G M B H

THE INFORMATION CONTAINED IN THIS DRAWING IS THE SOLE PROPERTY OF AIXRO GMBH AND WOELFLE ENGINEERING GMBH. ANY REPRODUCTION IN PART OR AS A WHOLE WITHOUT THE WRITTEN PERMISSION OF AIXRO GMBH AND WOELFLE ENGINEERING GMBH IS PROHIBITED.

SIZE: A4 | SCALE: 1:2 | SHEET 2 OF 3



aixro XF 40

woelfle
ENGINEERING
G M B H

THE INFORMATION CONTAINED IN THIS DRAWING IS THE SOLE PROPERTY OF AIXRO GMBH AND WOELFLE ENGINEERING GMBH. ANY REPRODUCTION IN PART OR AS A WHOLE WITHOUT THE WRITTEN PERMISSION OF AIXRO GMBH AND WOELFLE ENGINEERING GMBH IS PROHIBITED.

SIZE A4 SCALE: 1:2 SHEET 3 OF 3